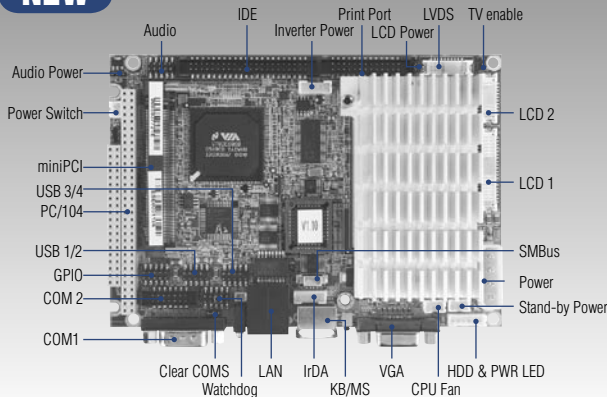


PCM-9377

3.5" SBC with VIA Mark,
VGA/ LCD/ LVDS/ LAN/ USB

NEW



Features

- VIA Mark 533/800 MHz Processor
- Support 18-bit TTL and LVDS LCD display and TV-out
- Support miniPCI type III and PC/104 for expansion
- Support 8bit GPIO and hardware Monitor detection
- Coast line (external connector layout) same as PCM-9373

Specifications

General

- **CPU** Embedded VIA Mark CoreFusion 533/800 MHz processor, 128 MB L1 cache memory on die
- **2nd Cache Memory** 64 KB on the processor
- **System Chipset** VIA Mark processor
- **BIOS** AWARD 2 Mbit Flash BIOS
- **System Memory** SDRAM 144-pin SODIMM x1, Max. 512 MB with both PC100 and PC133 memory type
- **Power Management** ACPI supported
- **SSD** Supports CompactFlash Card Type I/II
- **WatchDog Timer** 1~62 sec, 62-level time intervals system reset or IRQ11.
- **Expansion Interface** PC/104 & miniPCI type III
- **Battery** Lithium 3 V/196 mAH

I/O

- **I/O Interface** 1 x EIDE, 1 x FDD, 1 x K/B, 1 x Mouse, 1 x RS232/422/485, 1 x RS232, 1 x LPT
- **USB** 4 USB ports, USB2.0 compliant
- **Audio** Supports AC97 Audio stereo sound
- **GPIO** 8 bit general purpose Input / Output

Ethernet

- **Chipset** Intel 82551QM
- **Speed** 10/100 Mbps
- **Interface** RJ-45 connector
- **Standard** IEEE 802.3u (100 BASE-T) protocol compatible

Display

- **Chipset** VIA Mark processor
- **Memory Size** 8/16/32 MB frame buffer using system memory
- **Resolution** Support for all resolutions up to 1600 x 1200.
- **Panel type** CRT panel
LCD panel Support for 18, 24, 36-bit TTL TFT LCD panels
LVDS Interface 2-Channel (2 x 18-bit) LVDS interface
TV-Out (optional) Supports both NTSC/PAL, S-video and Composite Video via PCM-232 TV-out module (with optional BIOS)
- **Dual Independent Display** N/A. With dual simultaneous display for CRT+ LVDS, CRT+ TTL, CRT+TV-out (w/PCM-232)

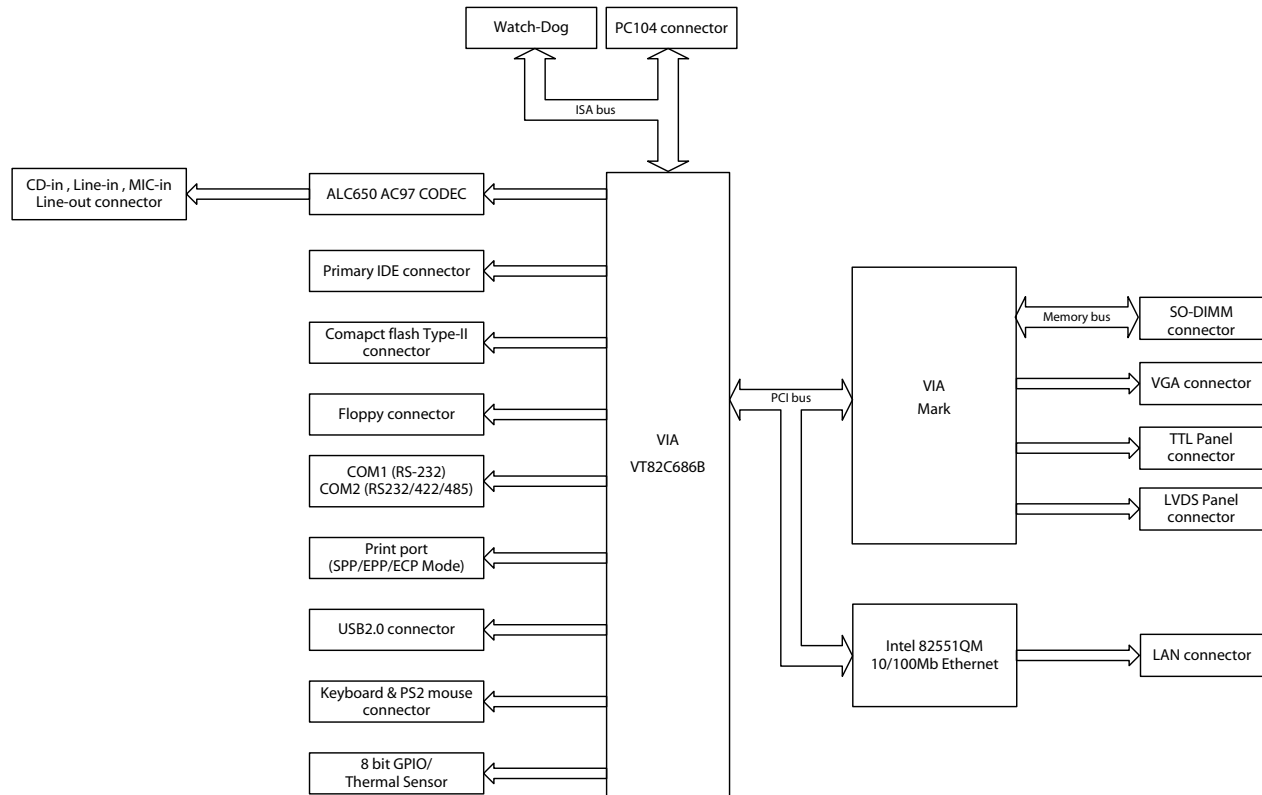
Mechanical and Environmental

- **Dimension (LxW)** 146 mm x 105 mm (5.7" x 4")
- **Weight** 0.85 kg (weight of total package)
- **Operation Temperature** 0 ~ 60° C (32 ~ 140° F)
- **Operating Humidity** 10% ~ 90% Relative Humidity, non condensing

Power

- **Power Supply Voltage** AT/ATX, +5 V \pm 5%, +12V \pm 5%, or supports single +5 V power only
- **Power Consumption** Max: 3.0 A @ +5 V (with 256 MB DRAM, VIA Mark 800)
Typical: 2.21A @ +5 V (with 256 MB DRAM, VIA Mark 800)

Board Diagram



Packing List

- 1 x PCM-9377 SBC
- 1 x Mini Jumper Pack (p/n: 9689000002)
- 1 x Startup Manual
- 1 x Utility CD
- 1 x Audio Cable (p/n: 1703100152)
- 1 x IDE 44 pin cable (p/n: 1701440351)
- 1 x USB 2 port cable (p/n: 1703100121)
- 1 x Keyboard/Mouse cable (p/n: 1700060202)
- 1 x serial cable (p/n: 1701140201)
- 1 x printer port cable (p/n: 1700260250)

Ordering Information

Standard

- **PCM-9377F-M0A1E** 3.5" SBC w/ VIA Mark 533, VGA/LCD/LVDS/LAN
- **PCM-9377F-Q0A1E** 3.5" SBC w/ VIA Mark 800, VGA/LCD/LVDS/LAN

Optional Accessories

- **PCM-232-00A1E** TV out module
- **FDD cable Kit**
 - 9681000044 1 x 26-34 pin FDD adapter
 - 1701260125 1 x slim FDD cable
 - 1701340700 1 x 34pin flat cable for FDD
- **Embedded OS**
 - 2070000449 Image WinCE 5.0 Core Eng V1.1 PCM-9373/72 (19 MB)
 - 2070000450 Image WinCE 5.0 Pro Eng V1.1 PCM-9373/72 (30 MB)
 - 2070000451 Image WinCE5.0 ProPlus Eng V1.1PCM-9373/72 (32 MB)
 - 2070000607 Image XP2 SP2 V2.10 (ENG) (430 MB)
 - 2066002300 SUSI Library V1.0

- 1 System On Modules
- 2 Stackable SBCs
- 3 Single Board Computers
- 4 Slot CPU Cards
- 5 Industrial Motherboards
- 6 Embedded Box Computers
- 7 RISC-Based Evaluation Kit
- 8 Panel PCs
- 9 Vehicle Mounted Computing Platforms
- 10 Medical Computing Platforms
- 11 Ubiquitous Computing
- 12 Display Solutions
- 13 Digital Signage
- 14 Portable Computing Platforms
- 15 Video Surveillance
- 16 Embedded Software Solutions