

PPC-6120

12" Panel PC Supporting 4th Generation Intel® Core™ i / Celeron® Processors

NEW



Features

- 12.1" TFT XGA LED Panel with resistive touchscreen
- Supports 4th Generation Intel® Core™ i / Celeron® Processor (Thermal Design Power: 35W/45W)
- System memory supports 2 x 204-pin SODIMM DDR3/DDR3L total up to 16G
- Supports 2 x Mini PCIe sockets, one is included mSATA function.
- Optional one PCI/PCIe x1 expansion kit
- Supports one isolated RS422/485 (terminal block)
- 1 x VGA and 1 x Display port
- Dual GbE, supports Intel AMT9.0
- LED backlight Auto dimming



Introduction

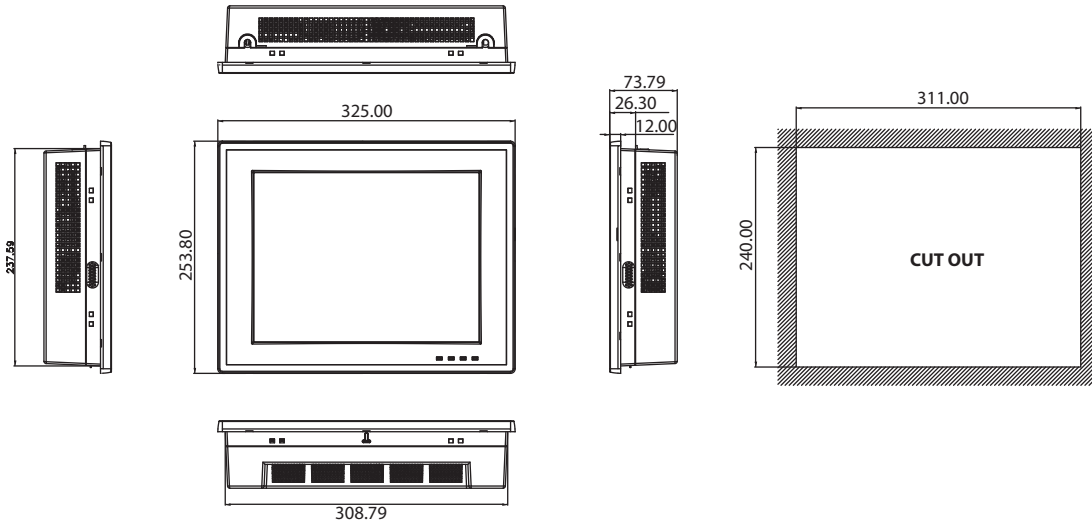
The PPC-6120 is a 12" color TFT LCD Panel PC which supports 4th Generation Intel® Core™ i / Celeron® Processors. It features extremely high computing power, various connectors, and can be installed in virtually any application. In addition, its user-friendly interface makes it a great host for information appliances. Four RS-232, one isolated RS422/485 and Dual Gb Ethernet connectors support Intel AMT, one expansion slot make PPC-6120 highly reliable, and provides a great solution for versatile applications.

Specifications

Processor System	CPU	4th Generation Intel® Core™ i / Celeron® Processor (Thermal Design Power: 35W/45W)
	Chipset	Intel Q87
	Memory	Supports 2 x 204-pin SODIMM DDR3/DDR3L total up to 16G
	Storage	2.5" SATA HDD bay x1 mSATA x1
	Bus Expansion	1 x MiniPCIe (Standard) 1 x PCIe by 1 / 1 x PCI through riser (Optional)
	Network (LAN)	2 x GbE, supports Intel AMT9.0
	I/O	4 x USB3.0 (Ext.), 2 x USB2.0 (Int. pin head) 4 x RS-232 Serial ports, 1 x Isolated RS422/485 (1KV _{DC}) 1 x Display Port 1.2 1 x DB15 VGA out 1 x Mic in, 1 x Line out
	Speaker	2 x 1W speakers
	Watchdog Timer	255 timer levels; setup by software
	Dimensions (W x H x D)	325 x 253.8 x 73.8
Weight	3.4KG	
OS Support	OS Support	Win7(32bit and 64bit), Win8 (32bit and 64bit), Linux
Power Supply	Input Voltage	DC 12 ~ 30 V
LCD Display	Display Type	12.1" TFT LCD (LED Backlight)
	Max. Resolution	1024 x 768
	Colors	262K
	Dot Size (mm)	0.24 x 0.24
	Viewing Angle	80 (left), 80 (right), 70 (up), 70 (down)
	Luminance (cd/m ²)	600
	Brightness Control	Yes
Touchscreen	Touch Type	Analog Resistive 5-wire
	Resolution	2048 x 2048
	Light Transmission	80+/-3%
	Controller	RS-232 interface
	Software Driver Support	Win7, Win8, Linux
	Durability (Touches)	36 million

Dimensions

Unit: mm



Specifications

Environment	Operating Temperature	0 ~ 50°C (32 ~ 122°F)
	Storage Temperature	-20 ~ 60°C (-4 ~ 140°F)
	Relative Humidity	10 ~ 95% @ 40°C (non-condensing)
	Shock	Operating 10 G peak acceleration (11 ms duration), follow IEC 60068-2-27
	Vibration	Operating Random Vibration Test 5~500Hz, 1Grms, follow IEC 60068-2-64
	EMC	BSMI, CE, FCC Class A
	Safety	CB, CCC, BSMI, UL
	Front Panel Protection	IP65 compliant

Ordering Information

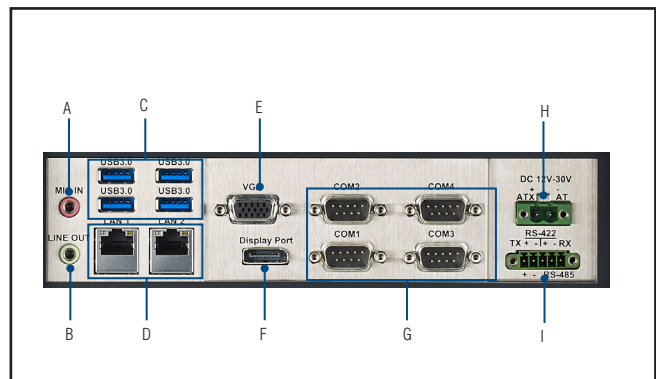
Part No.	Description
PPC-6120-RAE	12.1" 4th Generation Intel® Core™ i / Celeron Panel PC with Resi. T/S
1702002600	Power Cable UL/CSA (USA) 180D 125V10A 1.83M
1702002605	Power Cable 90D 220V EUROPEAN 250V/6A 1.8M
* PPC-174T-WL-MTE	Wall mount kit for PPC series
* PPC-ARM-A03	PPC ARM VESA Standard
* PPC-3100-STANDE	Desktop Stand for PPC-3100 series
PPC-3100-VESAE	PPC-3100 VESA bracket module
PPC-6150-WLANE	PCIe Half Mini Card WLAN module
PPC-6120-EXPE	Add-on box for PCI or PCIe expansion (include PCI / PCIe riser card)
PS-DC19-150AE	19V DC 150W Power Adapter Module For PPC Product
2070012966	Image WES7P 32-bit Multi V4.12 PPC-6120

* if you order Wall mount kit / ARM / Desktop stand, please also order PPC-3100-VESAE at the same time.

Supported CPUs

CPU	4th Generation Intel® Core™ i / Celeron® Processor (Thermal Design Power: 35W/45W)			
	Type	Frequency	Cache	TDP
	I7-4770TE	2.3GHz	8M	45W
	I5-4570TE	2.7GHz	4M	35W
	I3-4330TE	2.4GHz	4M	35W
	PENTIUM-G3320TE	2.3GHz	3M	35W
	Celeron-1820TE	2.2GHz	2M	35W
	I5-4590T	2.0GHz	6M	35W
	I3-4350T	3.1GHz	4M	35W
	I3-4340TE	2.6GHz	4M	35W

I/O



- A. MIC in
- B. Line Out
- C. USB 3.0 x 4
- D. 10/100/1000 Mbps Ethernet x 2
- E. VGA Port
- F. Display Port
- G. COM RS-232 x 4
- H. DC Inlet
- I. COM RS-422/485