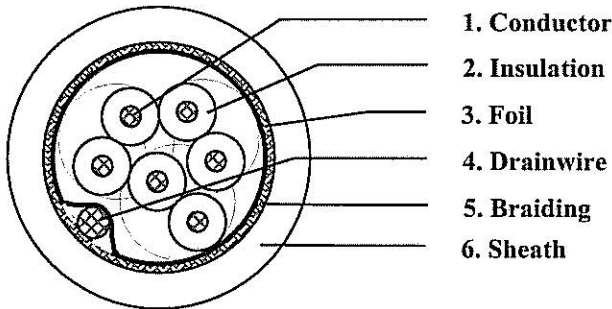


APPLICATION

Instrumentation and computer cable for EIA RS-485 data transmission applications.

CONSTRUCTION

1. Conductor	AWG24 (7xAWG32) tinned Cu
2. Insulation	
Material	Polyethylene
Diameter over insulation	1.73 mm
Colour of insulation	Pair #1: White/blue and blue/white Pair #2: White/orange and orange/white Pair #2: White/green and green/white
3. Foil (Z-fold®)	
Material	Aluminium / Polyester
Thickness	9 / 23 µm
4. Drainwire	AWG20 (7xAWG28) tinned Cu
5. Braiding	
Material	0.122 mm tinned Cu
Coverage	90%
6. Sheath	
Material	LSNH
Colour	Chrome (like RAL 7037)
Thickness of sheath	0.89
Diameter over sheath	9.10

REQUIREMENTS AND TEST METHODS**Electrical:**

Nominal resistance conductor	78.7 O/km
Nominal resistance shield	7.2 O/km
Nominal capacitance conductor to conductor	42.0 pF/m
Nominal capacitance conductor to shield + other cond.	75.5 pF/m
Nominal impedance @ 1 MHz	120 O
Nominal velocity of propagation	66 %
Nominal delay	5.2 ns/m
Nominal attenuation @ 1 MHz	1.97 dB/100m
Testvoltage conductor-conductor	2500 VDC, 3 seconds
Testvoltage conductor-screen	2500 VDC, 3 seconds

**TECHNICAL DATA SHEET****9843NH**code **40687**
version **1**
date **2001-04-27**
page **2/2**

Voltage rating 300 V RMS (CM application)
30 V RMS (AWM application)

Maximum continuous current per conductor @ 25 °C 2.1 A

Mechanical and physical:

Flame resistance IEC 332-3-C

Applicable specification BS 7655 section 6.1 table 1, LTS 3

Temperature range processing and operating -15 to +80 °C

Temperature range storage -30 to +80 °C

Minimum bending radius 10 x cable diameter

Maximum pulling tension ??? N

MARKING

Text inkjetprinting:
'BELDEN V 9843NH 3PR 24AWG SHIELDED LSNH IEC 332-3C'

PACKAGING

On non-returnable reels with a length of 1000m (-0, +0%).

Each reel is labelled with the following data:

Belden Logo. Belden code number. Item description. Length on the reel. Date of manufacture.
CE-marking.